

**DIECI**  
AUSTRALIA

ICARUS | 40.17





## ICARUS REACHING GREAT HEIGHTS

The needs on construction sites are changing. Management costs must be reduced and machine productivity continuously improved. Dieci meets the demands of customers with more versatile, more robust and more reliable machines that are easy to drive and operate.

The **Icarus** is suitable for large jobs in the building and industrial sectors, thanks to its characteristics of great strength, power and lifting heights.

The hydrostatic transmission combined with the “**inching**” pedal command allows the Icarus to operate at slow speeds with the engine at full throttle, ensuring extremely precise loading and maximum safety.

Great power, excellent handling, precision movement control, sound proofing for absolute comfort, three steering modes including 2WS, 4WS and crab steering, as well as the intelligently designed control layout, makes the Icarus simple, intuitive and comfortable to use.

The Icarus can be fitted with a full range of accessories, making it an **incredibly versatile** machine.

## ABSOLUTE COMFORT: ITALIAN DESIGN AND STYLE

Dieci telehandlers have always been a combination of **comfort** and **functionality** which makes us stand out all over the world.

### Powerful & Stable

Extremely rugged machine with exceptional loading capacities in all operating conditions, with boom retracted or extended. Independent outriggers with proportional controls and a transversal levelling device to always work the chassis in a horizontal position, even on uneven ground.

### Advanced Telescopic Boom

Made of high resistance steel, while load sensing and flow sharing distributors allow for more simultaneous movements during operation.

### Not Only Power

The Icarus responds to controls in a fluid way, with precision and promptness, thus guaranteeing exceptional work comfort in complete safety.

### Perfect Climate

Equipped with an integrated electric driver's window, standard heater and a semi-automatic air conditioning system with six outlet vents, this setup allows perfect air circulation inside the cabin for maximum operator comfort.

### Maximum Safety

The ROPS-FOPS approved cab is designed with a safety cell to provide maximum safety to the operator at all times. Dieci telehandlers comply with AS1418.19 / 10896.1.

**Deadman sensor**, combined with the operator presence sensor in the seat, prevents accidental operation.

The **Load Limiter Device** analyses vehicle stability in real time and inhibits any aggravating movements when the pre-set safety limits are reached.



# Icarus 40.17

**16.6m**  
Max Reach

**4,000kg**  
Max Capacity

**125hp / 93kW**  
Nominal Power

## Single Compensation Cylinder

Patented by Dieci - is located inside the lifting ram, ensures that the load on the boom is balanced at all times, thereby improving durability.

## EWP Options Available

Pre-arrangement for man basket remote control enables boom and aerial platform operation directly from the basket, ensuring total autonomy and full safety. Compliant with Australian EWP standard AS 1418.10.

## Inching Pedal

An essential control that allows travel speed to momentarily slow down or come to a stop while still offering maximum power to boom functions to increase precision and productivity for delicate operations.

## Comfort & Ease of Access

With soundproofing, an adjustable steering wheel (height and depth), storage compartments and various accessories such as the air suspension seat, enable operation in total comfort.

## Panoramic Views

The large, curved windows of the cab offer a complete 360° outside view with uninterrupted visibility. Integrated LED work lights allow better visibility at night.

## 4-in-1 Joystick

Hydraulic control distributor-single joystick with proportional and simultaneous controls which also incorporates FNR.

## Side Shift Carriage

Equipped with a side shift carriage, making repositioning and stacking loads tightly, an effortless task.

## Hydrostatic Transmission

Complete with a servo controlled 2 speed gear box and constantly varying hydrostatic drive, which guarantees top-end speed and low-end torque.



# TECHNICAL DATA

## PERFORMANCE

Maximum capacity	4,000 kg
Maximum lifting height	16.6 m
Maximum horizontal extension	12.6 m
Fork swiveling angle	134 °
Pull-out force	5,700 daN
Towing force	7,300 daN
Maximum climb angle	40 %
Unladen weight	12,260 kg
Maximum speed	35 km/h

## ENGINE

Brand	FPT
Nominal power	125 hp / 93 kW (@ 2,200 rpm)
Operation	4-stroke / diesel
Injection	Mechanical direct
Number and arrangement of cylinders	4, vertical inline
Displacement	4,485 cm <sup>3</sup>
Emission standard	Stage IIIA/Tier 3
Cooling	Liquid
Intake	Turbocharger after-cooler

## TRANSMISSION

Type	Hydrostatic transmission with variable displacement pump
Hydraulic motor	Hydrostatic with continuous automatic adjustment
Reversal	Electro-hydraulic
Inching control	With hydraulic pedal for controlled forward movement
Gearbox	Servo-controlled 2-speed

## HYDRAULIC SYSTEM

Hydraulic pump type	Gear pump for power steering and movements
Hydraulic pump capacity	130 l/min
Maximum operating pressure	25 MPa (3,626 psi)
Boom hydraulic sockets	With quick couplings
Distributor control	4 in 1 joystick with integrated FNR (with deadman capacitive sensor)
Distributor type	Hydraulic distributor-single joystick with proportional and simultaneous controls
Outriggers	2 independent outriggers with transverse levelling device

## TANK CAPACITIES

Hydraulic tank	174 l
Diesel tank	105 l

## DIFFERENTIAL AXLES

Steering axles	2 steering, with 4 epicyclodial reduction gears
Type of steering	4 wheels / transversal / 2 wheels
Service brake	Oil bath with servo brake on front and rear with double hydraulic system
Park brake	Negative actuation with electrical control

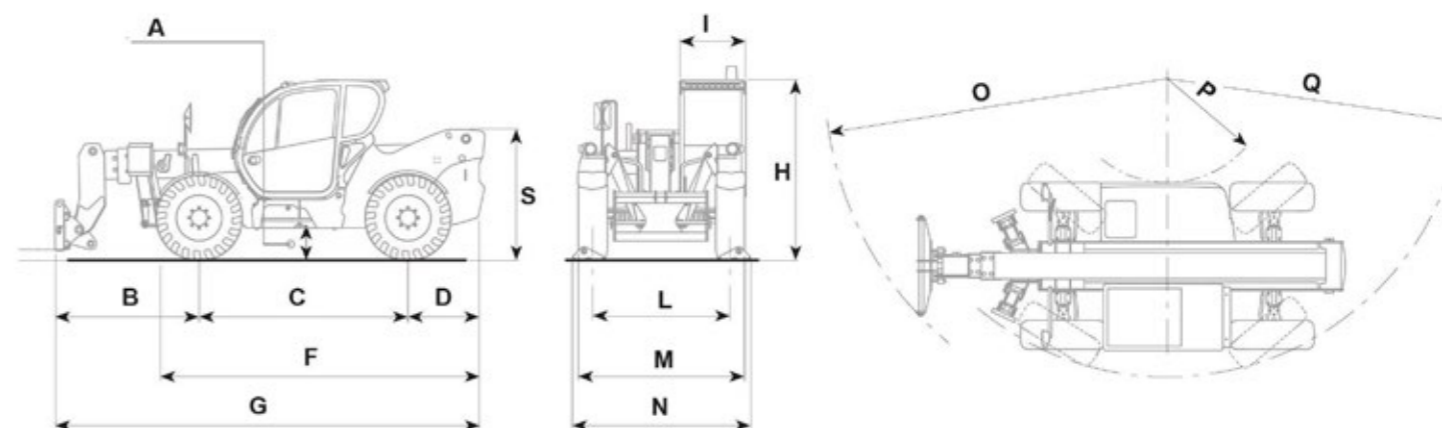
## TYRES

Size	405/70x24"
------	------------

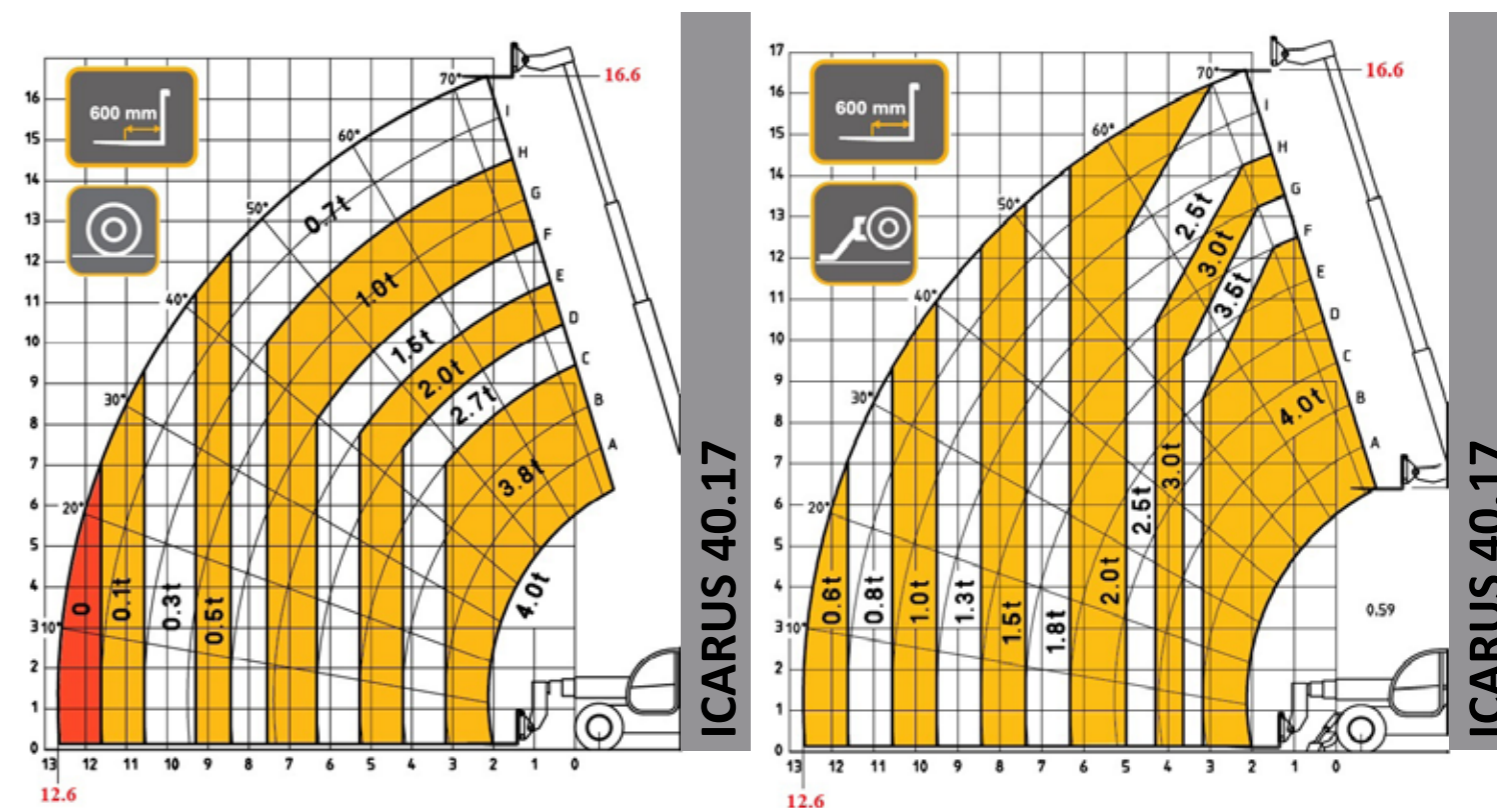
# ICARUS 40.17

## DIMENSIONS

A	390 mm
B	1,970 mm
C	2,950 mm
D	1,355 mm
F	4,900 mm
G	6,275 mm
H	2,550 mm
I	940 mm
L	1,950 mm
M	2,360 mm
N	3,270 mm
O	4,900 mm
P	1,700 mm
Q	4,400 mm
S	1,837 mm



## LOAD CHARTS





## NEW SOUTH WALES

Sydney Branch

1/5 Melito Court,  
Prestons, NSW 2170

## WESTERN AUSTRALIA

Perth Branch

32 Allott Way,  
Maddington, WA 6109

## VICTORIA

Melbourne Branch

2/2 Cyanamid Street,  
Laverton North, VIC 3026

## QUEENSLAND

Brisbane Branch

78-80 Platinum Street,  
Crestmead, QLD 4132

Brisbane North Branch

69 Griffin Crescent,  
Brendale, QLD 4500



[www.dieciaustralia.com.au](http://www.dieciaustralia.com.au) | ph: 1300 888 479 | [sales@dieciaustralia.com.au](mailto:sales@dieciaustralia.com.au)

Distributed by Dieci Australia

Illustrations and photos show the standard international models and may or may not include optional equipment, accessories, customer installed or modified parts, optional parts and all standard equipment with some differences in colour and features. Machine specifications are subject to change without notice and additional load charts and machine or attachment specifications may be available on request. Please refer to the user and maintenance manuals located on Dieci Australia's website for correct machine and attachment operation.



Printed in Australia

Icarus\_0924